



## MH80C14-4H50TIC-SO INSTANT-PRIME® PUMP



### ■ PUMP SPECIFICATIONS

Pump End: MCL3514C  
 Pump Size: 5x3 inches (125x80 mm)  
 Max Flow: 930 US GPM (213 m<sup>3</sup>/h)  
 Max Head: 295 feet (90 m)  
 Solids Size: 0.43 inches (11 mm)  
 Mechanical Seal: Single mechanical seal 2.5"  
 Lip Seals: CR type, single lip, Buna-N (Bearing & SAE Cover) and Viton(Stuffing box)  
 Non-Drive End Bearing: Single row ball bearing 6316  
 Drive End Bearing: Duplex angular contact bearing 7316  
 Air/Water Chamber: Steel material and designed to separate air and water before entering into vacuum pump suction hose.  
 Discharge Non Return Valve: Swing type, cast iron with Buna-N disc (Viton optional)  
 Gasket: Aramid Fiber w/ EPDM  
 O Ring: Buna-N

### ■ VACUUM ASSISTED PRIMING SYSTEM

**INSTANT-PRIME® SYSTEM:** Patent pending self priming pumps are equipped with the most powerful priming system and P-S-P mechanism. Instant-Prime® pump sets a new benchmark of vacuum assisted priming pumps in the industry.

**VACUUM PUMP DATA\*:** Air Capacity: 112CFM  
 Vacuum: -26inHg(9m)

\* at engine speed 2200 rpm

### ■ PUMP FEATURES

#### 1 ECO Friendly Vacuum Priming System

AMOS pump's EVP self priming system has extraordinary features like large air process capability, high vacuum, low operation temperature, maintenance free, oil and mechanical seal free etc.

#### 2 P-S-P(Prime-Sleep-Prime) Auto Switch System

EVP system will be switched to sleep status automatically once priming is finished. When it is used for general purpose application, EVP system only operates for a few seconds for priming, which makes it almost unnecessary for daily maintenance or changing spare parts within its life cycle.

#### 3 Dry Running Protection System

Instant-Prime® pumps offer three types of dry running seal options: oil reservoir lubricated mechanical seal, air cushion protected mechanical seal and grease lubricated lip seals configurations. Either of them can secure the pump run dry for a long time.

#### 4 Cooling System\*\*

A pressurized cooling flush water is introduced from centrifugal pump into vacuum pump's water jacket and then flows back to centrifugal pump. This cooling system cools the vacuum pump quickly and brings most of the heat out of the vacuum pump's cavity, and makes its rotor has an extraordinary long life.

#### 5 Easy Maintenance Structure

It is very convenient to remove the vacuum pump's cover from its non-drive end, and slides can be easily pulled out for inspection or replacement. It is also easy to access to the centrifugal pump's impeller, wear ring or mechanical seal for inspection or maintenance without removing diesel engine or pump's frame since the centrifugal pump's suction cover can be fully opened.

#### 6 All-In-One Pump Applications

EVP priming system's powerful function makes Instant-Prime® pumps can be used in almost all aspects of fluid industry, including well point dewatering. Buy one pump and get all your jobs covered.

\*\* cooling system is only needed for well point dewatering application.

### ■ ENGINE SPECIFICATIONS

Engine Model: HATZ 4H50TIC

Rated Power At Speed: 73.8HP @ 2800RPM

Engine Type: In-line 4 cylinders, Common rail EFI turbocharged intercooled diesel engine, water cooled

Displacement: 122 Cu.In. (2 Liters)

EPA Tier: Tier 4 Final

Fuel Tank: 74 U.S. Gallons (280 Liters)

Full Load Operating Time: 17.8 Hours

Starter: 12 Volts Electric

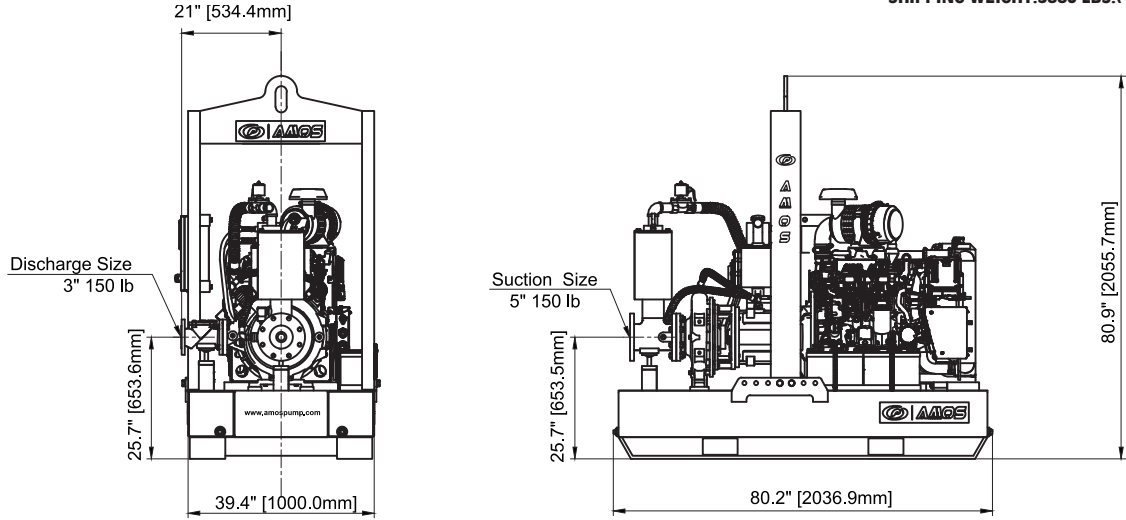
Control Panel: Murphy, Controls Inc, Deepsea, Kensho, Lofa

### ■ PUMP MATERIAL OF CONSTRUCTION

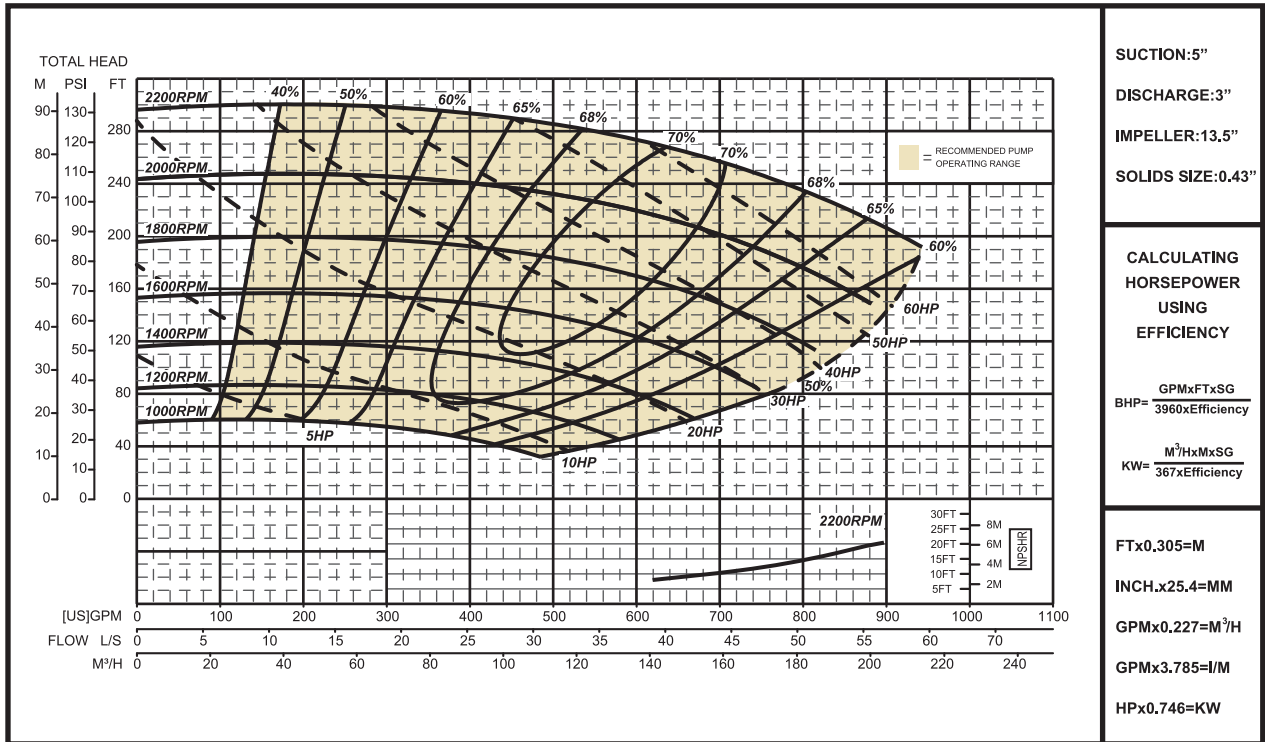
Main Parts	Standard (code:38)	Optional 1 (code:58)	Optional 2 (code:88)	Optional 3 (code:98)
Impeller	CA6NMSS	CA6NMSS	26% High Chrome	CD4MCu
Shaft	17-4PH	17-4PH	17-4PH	17-4PH
Wear Ring	Gray Iron	Gray Iron	Carbon Steel	316SS
Suction Cover	Gray Iron	Ductile Iron	26% High Chrome	CD4MCu
Volute	Gray Iron	Ductile Iron	26% High Chrome	CD4MCu
Stuffing Box	Gray Iron	Ductile Iron	26% High Chrome	CD4MCu
Adaptor	Ductile Iron	Ductile Iron	Ductile Iron	Ductile Iron

# MH80C14 INSTANT-PRIME® PUMP DIMENSIONS

**SKID MOUNTED**  
**NET WEIGHT:3615 LBS.(1610 KG.)**  
**SHIPPING WEIGHT:3880 LBS.(1760 KG.)**



# MH80C14 INSTANT-PRIME® PUMP PERFORMANCE CURVE



# PUMP DESIGNATION SYSTEM

**Pump Type**

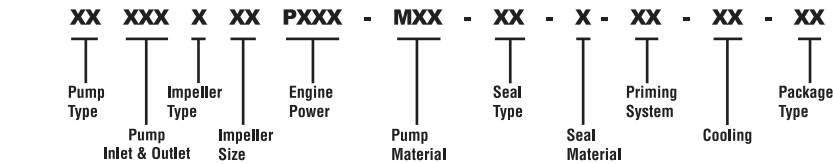
LH:Low Head Pump  
 MH:Medium Head Pump  
 HH:High Head Pump

**Pump Inlet & Outlet**

LH:Pump Outlet Size(mm)  
 MH:Pump Outlet Size(mm)  
 HH:Pump Inlet Size(mm)

**Impeller Type**

S:Solids Handling  
 C:Clear Water



**Impeller Size:Inch**

**Engine Power:hp**

**Pump Material**

38:Standard  
 58:Optional 1  
 88:Optional 2  
 98:Optional 3

**Seal Type**

MO:Mech.Seal Oil Lub(Standard)  
 MA:Mech.Seal Air Cushion  
 LG:Lip Seal Grease Lub

**Seal Material**

1:SiC/SiC(Standard)  
 2:TC/SiC  
 3:TC/TC  
 4:NBR  
 5:Viton

**Priming System**

V1:Venturi  
 V2:Diaphragm Pump(NA)  
 V3:EV(Standard)

**Cooling**

WC:With Cooling System  
 NC:No Cooling System

**Package Type**

SO:Skid Open  
 TO:Trailer Open  
 SE:Skid Enclosed  
 TE:Trailer Enclosed  
 SP:Skid Push Bar  
 GN:Goose Neck

A MODEL OF SUCCESS IN THE FLUID TECHNOLOGY